

### Features

- Freestanding design creates a striking focal point in your bathing area.
- Integral lumbar support on both ends.
- 18" (457.2 mm) depth offers a deep soaking experience.
- Wide deck along one side simplifies installation and provides support for getting in and out of bath.
- Straight shroud.
- Textured bottom surface.
- Center drain.

### Material

- Acrylic.

### Installation

- Freestanding.

### Recommended Products/Accessories

- K-7265 Brass toe tap bath drain
- K-37383 Rough-in cable bath drain, PVC, 30" cable with tubing
- K-37386 rough-in cable drain, PVC, 30" cable
- K-24916 Wireless Music Kit
- K-T37391 Rotary-turn bath drain trim
- K-T37392 Rotary-turn bath drain trim
- K-T37393 Rotary-turn bath drain trim
- K-T37394 Rotary-turn bath drain trim
- K-T37395 Bath drain trim
- K-T37396 Push-button bath drain trim
- K-T37397 Push-button bath drain trim
- K-23726 Drain treatment
- K-23732 Tub & shower cleaner



### Codes/Standards



CSA B45.5/IAPMO Z124  
ASTM E162  
ASTM E662

### KOHLER® Plastic Baths and Receptors Lifetime Limited Warranty


See website for detailed warranty information.

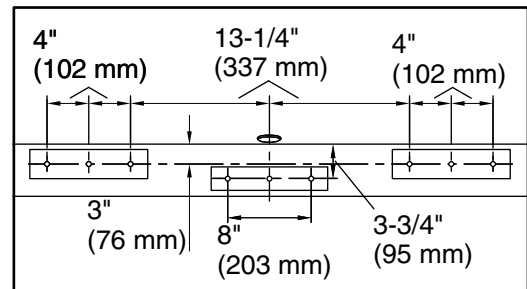
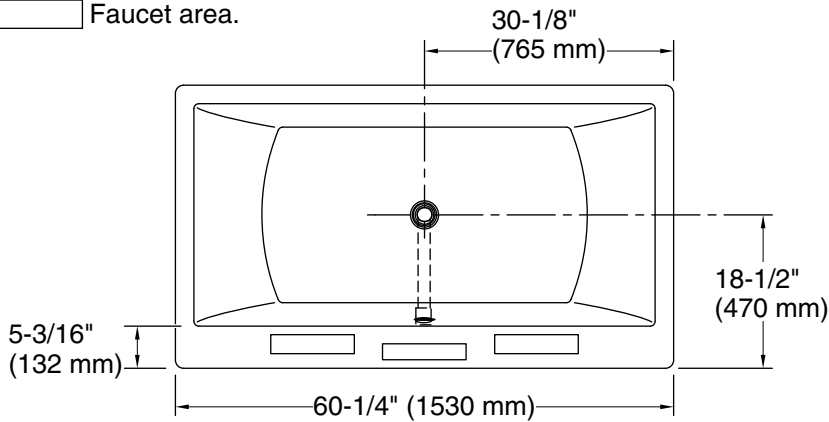
### Available Colors/Finishes

*Color tiles intended for reference only.*

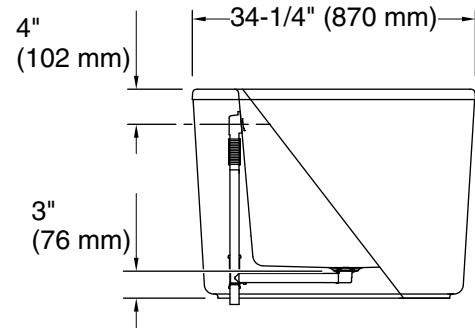
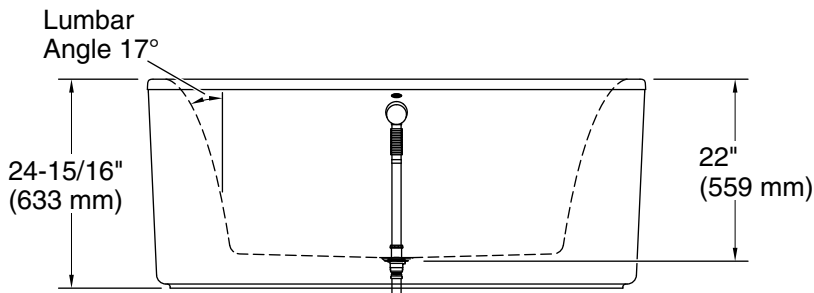
Color	Code	Description
	0	White
	96	Biscuit

No change in measurements if connected with drain illustrated. (K-7265)

 Faucet area.



**Faucet Hole Locations  
(For KOHLER® Brand Only)**



### Technical Information

All product dimensions are nominal.

Installation:	Freestanding
Drain location:	Center
Basin area, bottom:	40-5/16" x 22-1/2" (1024 mm x 572 mm)
Basin area, top:	49-3/8" x 25-7/8" (1254 mm x 657 mm)
Weight:	156 lbs (70.8 kg)
Minimum floor load:	54 lbs/ft <sup>2</sup> (263.7 kg/m <sup>2</sup> )
Water depth:	18" (457 mm)
Water capacity:	60 gal (227.1 L)
Template:	Footprint, 1364289, not required, not included

### Notes

Measure your actual product for rough-in details.

Install this product according to the installation instructions.

The hot water supply should be 70% of the capacity of the bath or greater. Installations will vary.